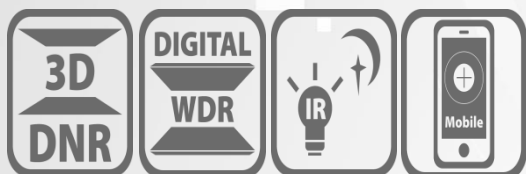
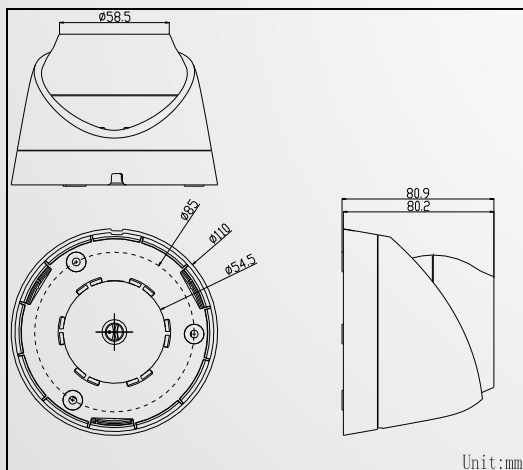


DS-2CD1301(D)-I 1 MP CMOS Network Dome Camera



- 1/4" Progressive Scan CMOS
- Up to 1 megapixel resolution
- Digital WDR
- 3D DNR
- 10 meters IR range
- 12V DC±10% & PoE(802.3af) for non"-D"



DS-2CD1301(D)-I

1 MP CMOS Network Dome Camera



Specification

Camera	
Image Sensor	1/4" Progressive Scan CMOS
Min. Illumination	0.01Lux @ (F1.2, AGC ON) , 0.028Lux @ (F2.0, AGC ON) , 0 Lux with IR
Shutter Speed	1/3 s ~ 1/100,000 s
Lens	4mm@ F2.0, Angle of view: 73.1° (2.8/6/8/12mm optional)
Lens Mount	M12
Day & Night	IR cut filter with auto switch
WDR	Digital WDR
Angle Adjustment	Pan:0° - 360°, Tilt: 0° - 75°, Rotation: 0° - 360°
Compression Standard	
Video Compression	H.264/MJPEG
H.264 Type	Baseline Profile / Main Profile
Video Bit Rate	32 Kbps – 8 Mbps
Image	
Max. Resolution	1280 × 720
Frame Rate	50Hz: 25fps(1280 × 720) 60Hz: 30fps (1280 × 720)
Image Enhancement	BLC/3D DNR
Image Setting	Rotate Mode, Saturation, Brightness, Contrast, Sharpness adjustable by client software or web browser
Network	
Alarm Trigger	Motion detection, Dynamic analysis, Tampering alarm, Network disconnect , IP address conflict, Storage exception
Protocols	TCP/IP, UDP, ICMP, HTTP, HTTPS, FTP, DHCP, DNS, DDNS, RTP, RTSP, RTCP, PPPoE, NTP, UPnP, SMTP, SNMP, IGMP, 802.1X, QoS, IPv6, Bonjour
Security	Flash-prevention, dual stream, heartbeat, mirror, password protection, privacy mask, watermark, IP address filtering, anonymous access
Standard	ONVIF, PSIA, CGI, ISAPI
Interface	
Communication Interface	1 RJ45 10M/100M Ethernet interface
General	
Operating Conditions	-10 °C – 40 °C (14 °F – 104 °F), Humidity 95% or less (non-condensing)
Power Supply	12V DC±10%, PoE (802.3af) for non"-D"
Power Consumption	Max. 3.2W
IR Range	10m
Dimensions	Φ110 × 80.9 mm
Weight	190g
Order Model	
DS-2CD1301-I, DS-2CD1301D-I	