

# HIK-VDM2000

## Economic Indoor station



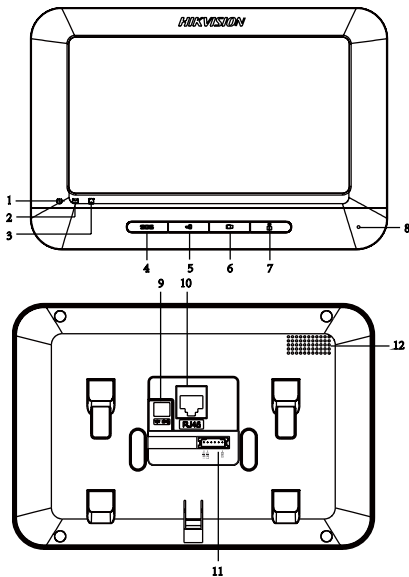
### Key features

- Video intercom function
- Remote unlocking function
- Resident-to-resident audio call
- Live view of HD video
- Voice message function
- Auto-respond and no disturbing mode
- Noise suppression and echo cancellation
- 2-ch zone alarm and SOS calling function
- Physical buttons operation
- Community notice
- Convenient installation with the bracket, batch configuration, and power over video/audio distributor (HIK-606KAD/HIK-612KVD)

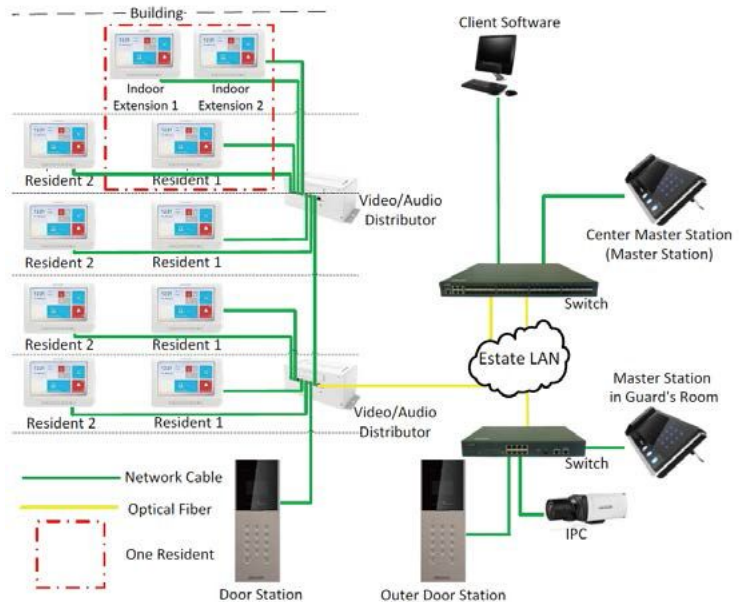
### Available Models

HIK-VDM2000

### Physical Interfaces



Index	Description	
1	Power Supply Indicator	
2	Information Indicator	
3	Alarm Indicator	
4	SOS Key	Return Key (press)
5	Unlock Key (hold down)	Direction Keys ▲ and ◀ (press)
6	Live View Key (hold down)	Direction keys ▼ and ▶ (press)
7	Management Center Key (hold down)	Confirm key (press)
8	Microphone	
9	12 VDC Power Supply	
10	Network Interface	
11	Terminals and Interfaces of Cables	
12	Loudspeaker	



### Model HIK-VDM2000

<b>System Parameters</b>	
Processor	High-Performance Embedded SOC Processor
Operation System	Embedded Linux Operation System
<b>Display Parameters</b>	
Display Screen	7-Inch Colorful TFT LCD
Display Resolution	800 × 480
Operation Method	Physical Button
Operation Interface	Flattened UI Operation Interface
<b>Audio Parameters</b>	
Audio Input	Built-in Omnidirectional Microphone
Audio Output	Built-in Loudspeaker
Audio Compression Standard	G.711 U
Audio Compression Rate	64 Kbps
Audio Quality	Noise Suppression and Echo Cancellation
<b>Network Parameters</b>	
Ethernet	10M/100M Self-Adaptive Ethernet
Network Protocol	TCP/IP, SNMP, SIP, RTSP
<b>Alarm Parameters</b>	
Alarm Input	2-ch Alarm Input Sensor
<b>Device Interfaces</b>	
Network interface	1 RJ-45 10/100 Mbps Self-Adaptive Ethernet Interface
<b>General</b>	
Power supply	24 VDC, Power Over Network Cable (HIK-606KAD, HIK-612KVD) 12 VDC
Power consumption	≤10 W
Working temperature	-10° C to +55° C (14° F to 131° F)
Working humidity	10% to 90%
Dimensions (L × W × H)	195.8 mm × 132.8 mm × 17.5 mm (7.7" × 5.2" × 0.7")
Certification	FCC, IC, CE, C-TICK, ROHS, REACH, WEEE