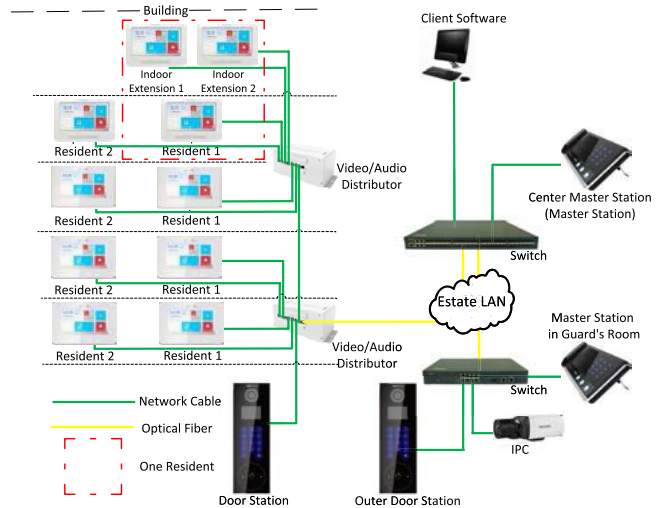


HIK-IP9102-V

Metal Door Station



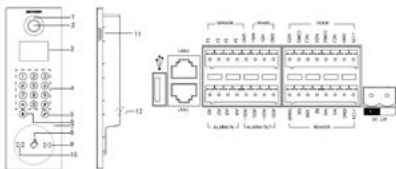
Key features

- Video intercom function
- HD video surveillance (Max. resolution 1280×720@25fps, WDR, 120° wide angle)
- Self-adaptive light supplement
- Access control function: supports multiple door opening modes (card, room No. + password, indoor station, and room No. + duress code)
- Activating card via local station function (This function will be invalid if the card has been activated via iVMS-4200)
- Auto-uploading captured pictures to FTP or iVMS-4200 Client while unlocking the door
- Door magnetic alarm and tamper-proof alarm function
- Noise suppression and echo cancellation
- IR detection
- Remote upgrade, batch setting, upgrade via USB flash disk functions

Available Models

HIK-IP9102-V

Appearance and Interfaces



Index	Description	Index	Description
1	Low Illumination Supplement Light	7	Microphone
2	Built-in Camera	8	Card Induction Area
3	LCD Display Screen	9	IR Emission
4	Numeric Keypad	10	IR Receiver
5	Calling Key	11	Loudspeaker
6	Calling Center Key	12	TAMPER

HIK-IP9102-V

System Parameters	
Processor	High-Performance Embedded SOC Processor
Operation System	Embedded Linux OS
Video Parameters	
Camera	CMOS Low Illumination 1.3 MP HD Colorful Camera
Video Compression Standards	H.264
Resolution	1280 × 720
Video Frame	PAL: 25 fps, NTSC: 30 fps
Display Parameters	
Display Screen	3.5-Inch Colorful TFT LCD
Resolution	480 × 320
Operation Method	Capacitive Touch Keypad
Operation Interface	LCD Display, Easy Menu
Audio Parameters	
Audio Input	Built-in Omnidirectional Microphone
Audio Output	Built-in Loudspeaker
Audio Compression Standard	G.711 U
Audio Compression Rate	64 Kbps
Audio Quality	Noise Suppression and Echo Cancellation
Access Control Parameters	
Internal Card Reader	Built-in IC Card Reader
External Card Reader	Wiegand 26, Wiegand 34, or RS485 IC Reader
Door Magnetic Detection	Detecting Door Magnetic Status
IR Human Detection	
Approaching Detection	Supporting IR Detection, Vertical Distance: from 60 cm to 80 cm
Light Supplement	
Light Supplement Mode	Visible Light Supplement
Network Parameters	
Ethernet	10M/100M Self-Adaptive Ethernet
Network Protocol	TCP/IP, SNMP, SIP, RTSP
Alarm Parameters	
Alarm Input	Door Magnetic Alarm, Tamper Alarm
Device Interfaces	
Internet Access	1 RJ45 10M/100M Self-Adaptive Ethernet Access
RS485	1 RS485 Half-Duplex Port
I/O Input	8
I/O Output	4
Wiegand	1 Wiegand Port for Accessing Wiegand IC Card Reader
USB	1; USB2.0, Supporting U-disk
Other Parameters	
Material	Plastic
Power Supply	12V DC
Consumption	≤15 W
Working Temperature	-40° C to +70° C (-40° F to 158° F)
Working Humidity	10% - 90%
IP Protection Level	IP65
Dimension	418 mm × 145 mm × 61 mm (16.5 × 5.7 × 2.4")
Certification	FCC, IC, CE, C-TICK, ROHS, REACH, WEEE