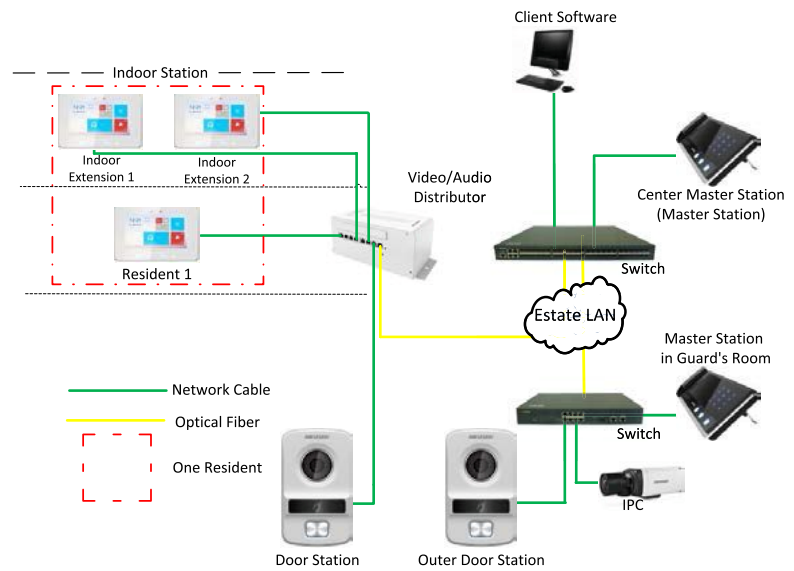


HIK-IP8000VLS/IRS

Villa Door station



Key features

- Video intercom function
- HD video surveillance (Max. resolution: 1280×720@25fps, WDR, 120° wide angle)
- Self-adaptive light supplement
- Access control function
- Activating card via local station function (This function will be invalid if the card has been activated via iVMS-4200)
- Auto-uploading captured pictures to FTP or iVMS-4200 Client while unlocking the door
- Door magnetic alarm and tamper-proof alarm function
- Noise suppression and echo cancellation
- Remote upgrade, batch setting functions

Available Models

HIK-IP8000IRS
HIK-IP8000VLS

	HIK-IP8000IRS	HIK-IP8000VLS
System Parameters		
Processor	High-Performance Embedded SOC Processor	
Operation System	Embedded Linux OS	
Video Parameters		
Camera	CMOS Low Illumination 1.3 MP HD Colorful Camera	
Video Compression Standards	H.264	
Resolution	1280 × 720	
Video Frame	25 fps	
Audio Parameters		
Audio Input	Built-in Omnidirectional Microphone	
Audio Output	Built-in Loudspeaker	
Audio Compression Standard	G.711 U	
Audio Compression Rate	64 Kbps	
Audio Quality	Noise Suppression and Echo Cancellation	
Access Control Parameters		
Internal Card Reader	Built-in Card Reader	
Door Button	Door Button for opening the Door	
NO/NC	Supporting NO/NC Status Settings	
Door Magnetic Detection	Detecting Door Magnetic Status	
Light Supplement		
Light Supplement Mode	IR Supplement	Visible Light Supplement
Network Parameters		
Ethernet	10M/100M Self-Adaptive Ethernet	
Network Protocol	TCP/IP, SNMP, SIP, RTSP	
Alarm Parameters		
Alarm Input	Door Magnetic Alarm; Tampering Alarm	
Device Interfaces		
Internet Interface	1 RJ45 10M/100M Self-Adaptive Ethernet Interface	
RS485	1 RS485 Half-duplex Port	
I/O Input	4	
I/O Output	1	
Other Parameters		
Material	Plastic	
Power Supply	24 VDC, Power Over Network Cable (DS-KAD606, DS-KAD612)/12V	
Consumption	≤12 W	
Working Temperature	-40° C to +70° C (-40° F to 158° F)	
Working Humidity	10% - 90%	
IP Protection Level	IP65	
Dimension	164 mm × 97 mm × 40.6 mm (6.46 × 3.82 × 1.60")	
Certification	FCC, IC, CE, C-TICK, ROHS, REACH, WEEE	