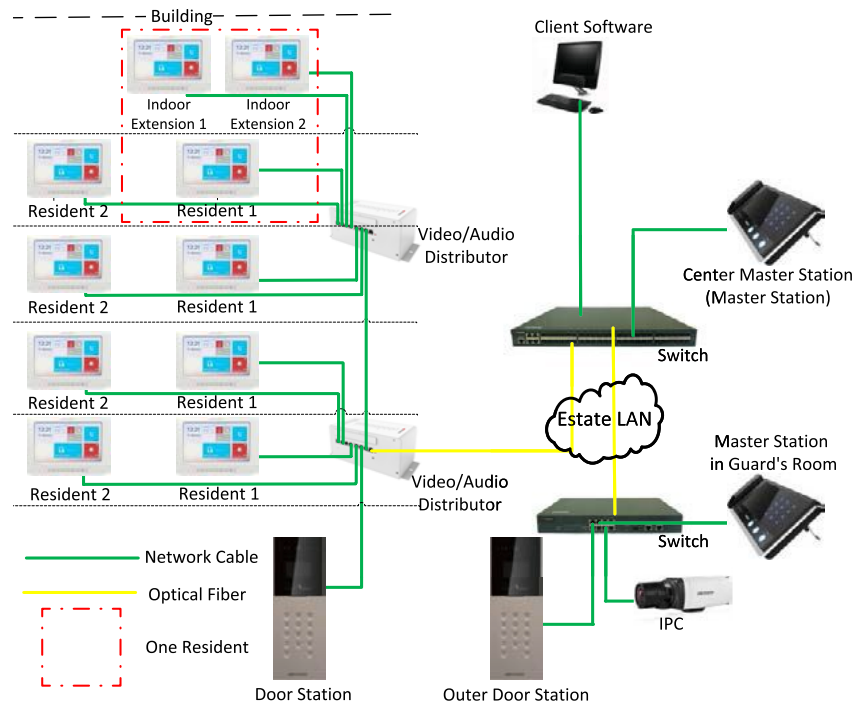


## HIK-606KAD Distributor



### Key features

- Built-in 24V DC voltage-stabilized switching mode power supply
- IEEE802.3, IEEE802.3u, IEEE802.3x
- Storing and forwarding function
- VLAN technique
- Over 1000,000 h mean time between failure
- Operating temperature range: from -30° C to 70° C
- Suitable for wall mounting

### Available Models

HIK-606KAD

### HIK-606KAD

Network Parameters	
Interface Number	Eight 10/100M Interfaces
Interface Type	RJ45, Full/Half-Duplex, MDI/MDI-X Self-Adaptive
Standard	IEEE802.3, IEEE802.3u, IEEE802.3x
Processing Type	Storing and Forwarding
Flow Control	IEEE802.3x(Full-Duplex), Back Pressure(Half-Duplex)
Priority queue	Four
MAC Address List	8K
Internal Buffer	1 Mbit
Other Parameters	
Power Supply	AC 220 V
Power Dissipation	<3 W
Operating Temperature	-30° C to 70° C (-22° F to 158° F)
Operating Humidity	5 to 95%, No Condensation
Size	275.2 mm (L) x 92 mm (W) x 102.2 mm (H)
Certification	FCC, IC, CE, C-TICK, ROHS, REACH, WEEE