

## DS-D3100VN 1.0 MP CMOS Network Turret Camera

### Features and Functions

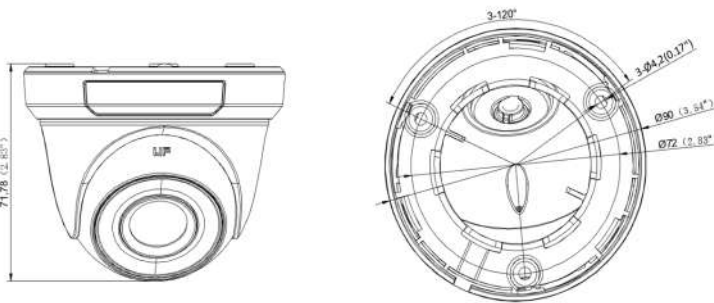
- 1/4" progressive scan CMOS
- Up to 1.0 megapixel
- 2.8 mm/4 mm/6 mm fixed focal lens
- Up to 35 m IR range
- Dual stream
- Digital WDR (Wide Dynamic Range)
- 3D DNR (Digital Noise Reduction)
- PoE (Power over Ethernet)
- IP67



### Available Models

DS-D3100VN(2.8/4/6 mm)

### Dimension



### Accessory



DS-1272ZJ-110-TRS  
Wall Mounting Bracket



DS-1275ZJ  
Vertical Pole Mounting Bracket



DS-1280ZJ-XS  
Inclined Base Mounting Bracket



DS-1276ZJ  
Corner Mounting Bracket



## Specification

<b>Camera</b>	
Image Sensor	1/4" progressive scan CMOS
Min. Illumination	Color: 0.01 Lux @(F1.2, AGC ON), 0 Lux with IR
Shutter Speed	1/3 s to 1/100,000 s, support slow shutter
Lens	2.8 mm @F2.2, horizontal field of view 92°, 4 mm @F2.2, horizontal field of view 70° 6 mm @F2.2, horizontal field of view 56°
Lens Mount	M12
Day & Night	IR cut filter with auto switch
3-Axis Adjustment	Pan: 0° to 360°, tilt: 0° to 75°, rotation: 0° to 360°
DNR (Digital Noise Reduction)	3D DNR
WDR (Wide Dynamic Range)	Digital WDR
<b>Compression Standard</b>	
Video Compression	Main stream: H.264 Sub stream: H.264/MJPEG
H.264 Type	Baseline Profile/Main Profile
Video Bit Rate	32 Kbps to 2 Mbps
<b>Image</b>	
Max. Resolution	1280 × 720
Main Stream Max. Frame Rate	50Hz: 25fps @(1280 × 720) 60Hz: 30fps @(1280 × 720)
Sub-stream Max. Frame Rate	50Hz: 25fps @( 640 × 480, 352 × 288, 320 × 240) 60Hz: 30fps @( 640 × 480, 352 × 240, 320 × 240)
Image Settings	Brightness, saturation, contrast, sharpness are adjustable via web browser or client software
Day/Night Switch	Support auto, scheduled
Others	Mirror, BLC (area configurable), region of interest (support 1 fixed region)
<b>Network</b>	
Detection	Motion detection
Alarms	Video tampering, network disconnected, IP address conflicted
Protocols	TCP/IP, ICMP, HTTP, HTTPS, FTP, DHCP, DNS, DDNS, RTP, RTSP, RTCP, NTP, UPnP, SMTP, IGMP, 802.1X, QoS, IPv6, Bonjour
Standard	ONVIF (PROFILE S, PROFILE G), ISAPI
General Function	Anti-flicker, heartbeat, mirror, password protection, privacy mask, watermark
<b>Interface</b>	
Communication Interface	1 RJ45 10M/100M self-adaptive Ethernet port
<b>General</b>	
Operating Conditions	-30 °C to 60 °C (-22 °F to 140 °F), humidity: 95% or less (non-condensing)
Power Supply	12 VDC ±25%, PoE (802.3af)
Power Consumption	Max. 3.5 W/5.5 W (PoE)
Ingress Protection	IP67
IR Range	Up to 35 m
Dimensions	Φ 90 mm × 71.78 mm